

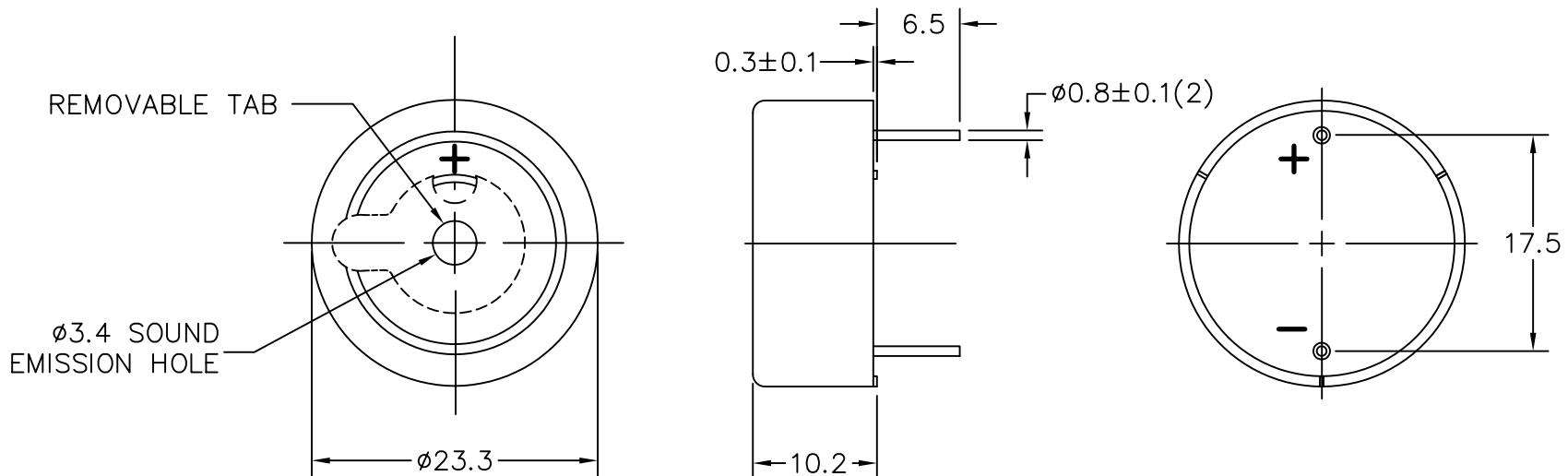
THIS DOCUMENT CONTAINS DATA PROPRIETARY TO PROJECTS UNLIMITED, INC. ANY USE OR REPRODUCTION, IN ANY FORM, WITHOUT PRIOR WRITTEN PERMISSION OF PROJECTS UNLIMITED, INC. IS PROHIBITED.
© 2005, Projects Unlimited Inc.

SPECIFICATIONS

PARAMETERS	VALUES	UNITS
RATED VOLTAGE	12	Vdc
OPERATING VOLTAGE RANGE	3 ~ 20	Vdc
RATED CURRENT (MAX)	13	mA
MINIMUM SPL @ 10 CM	85	dBA
RESONANT FREQUENCY	3200±500	Hz
TONE OR PULSE RATE	CONTINUOUS	0 PULSE PER SECOND
OPERATING TEMPERATURE	-30 ~ +85	°C
STORAGE TEMPERATURE	-40 ~ +95	°C
HOUSING MATERIAL	ABS	-
TERMINAL MATERIAL	Au PLATED BRASS	-
WEIGHT	5	grams

REVISIONS

LTR	DESCRIPTION	DATE	APPROVED
-	RELEASED FROM ENGINEERING	7/11/06	



NOTES:

1. ALL DIMENSIONS ARE IN MILLIMETERS.
2. SPECIFICATION SUBJECT TO CHANGE OR WITHDRAWAL WITHOUT NOTICE.
3. THIS PART IS RoHS 2002/95/EC COMPLIANT.

FILE NAME
AI-2332-TWT-12V-R.DWG

UNLESS OTHERWISE SPECIFIED:
DIMENSIONS ARE IN
MILLIMETERS, TOLERANCES ARE ± 0.5 AND
ANGLES ARE $\pm 3^\circ$.



projects®
unlimited

Dayton, Ohio

APPROVALS	DATE
DRAWN <i>J.D.</i>	7/06
CHECKED <i>E.P.</i>	7/06
APPROVED <i>R.W.</i>	7/06

SIZE
A

INDICATOR

DRAWING NO.
AI-2332-TWT-12V-R

DO NOT SCALE DRAWING

SCALE: N.T.S.

SHEET 1 OF 1